



USER INSTRUCTIONS

COPENHAGEN SC13

BY SPACE COPENHAGEN
2018

Congratulations with your new Copenhagen table lamp, designed in 2018 by Space Copenhagen. We hope you will enjoy using this product and follow these instructions to ensure correct installation. If you have any questions or comments, please do not hesitate to contact us by mail on:

info@andtradition.com

CONTENTS

- A - Glass shade (comes in separate box)
- B - Stem with LED light source
- C - Lamp base
- D - Set screw
- E - 4 x Top screws
- F - 2 x Screws for base plate
- G - Base plate
- H - Transformer with interchangeable plugs
- I - Hex screwdriver

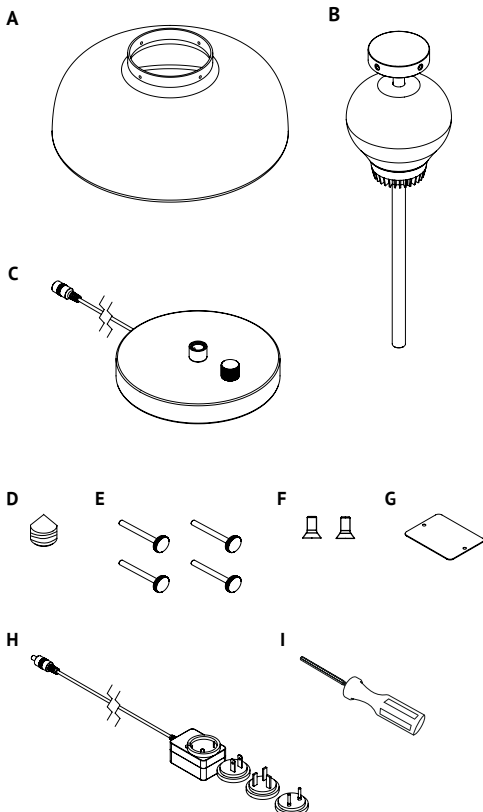
Please read these instructions carefully and retain them for future reference to ensure that the product is correctly installed should it be moved or sold. For your own safety, please study each step of this instruction manual before you commence installation. &tradition are not responsible for any faults or damages caused by not following these instructions correctly. Do not modify this product in any way.

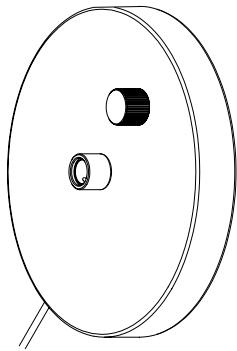
SAFETY PRECAUTIONS

- Dispose of plastic bag from packaging and do not allow children to play with it.
- Keep product well out of children's reach.
- The lamp is only intended for interior use.
- Do not attempt installation of product if you are not competent to do so yourself.
- Consult a professionally qualified electrician if in any doubt.
- Do not place the cable within reach of small children or anywhere there is a risk of falling over it.
- For correct assembly of this lamp it is very important that the set screw is properly tightened.
- Two people are needed to assemble this product. Do not assemble on your own.

CLEANING INSTRUCTIONS

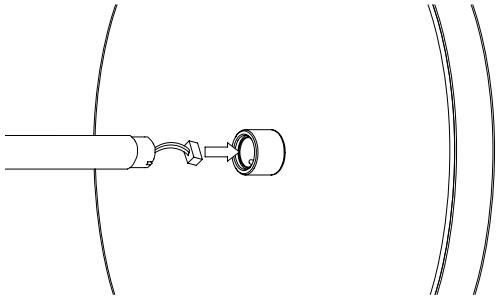
- Wipe surface of lamp shade with a soft, dry sponge or cloth.
- Do not use any abrasive cleaning tools such as steel wool, scouring sponges or stiff brushes.
- Never use strong cleaning agents such as white spirit, turpentine, household glass cleaner or cellulose thinners.





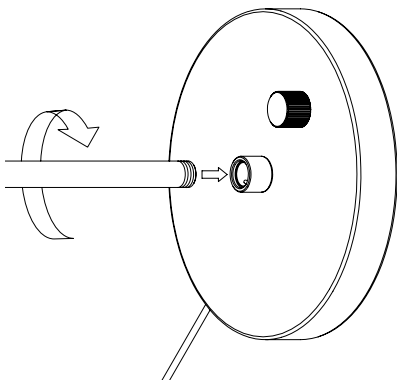
STEP 1

Place the base vertically and make sure to have enough free space, so the stem can be placed horizontally during assembly to base. Two people are needed for assembly, one to hold the base in position and one to screw in the stem.



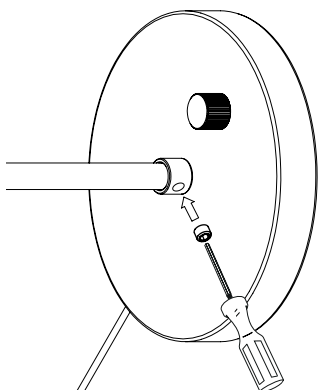
STEP 2

Insert the cable from stem into the base, through the hole on the top.



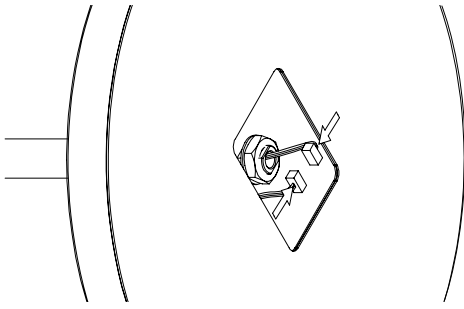
STEP 3

Screw the stem into the base and tighten properly, while keeping a 90 degree angle between stem and base. After the stem is tightened, no thread must be visible.



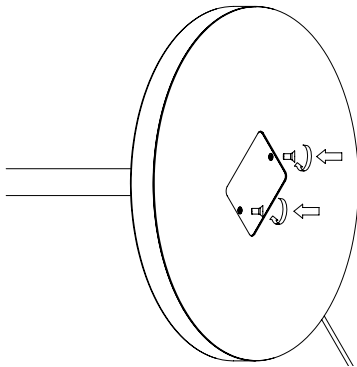
STEP 4

Once the stem is properly in place, insert and tighten the set screw with the provided hex screwdriver. Use of this lamp without the set screw will void the warranty of the product.



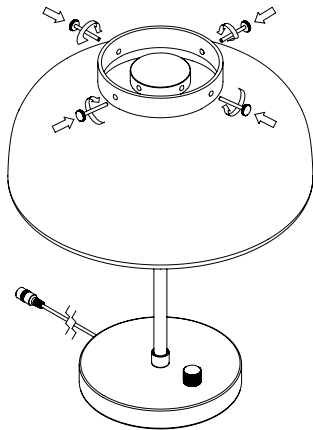
STEP 5

In the bottom of the lamp base, plug the connector from the stem into the connector from the base. The connectors can only be connected to each other in one position. Make sure that they are properly secured to each other.



STEP 6

Screw the base plate into place with the provided screwdriver.



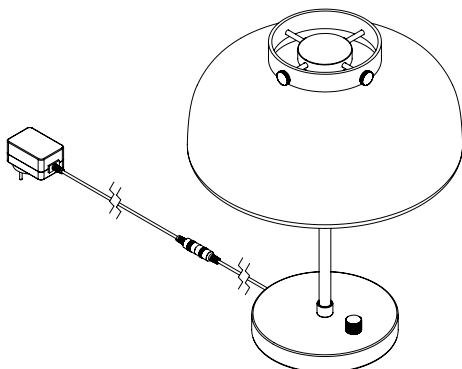
STEP 7

Make sure the lamp is in an upright position.

Lower the lamp shade over the stem and align the holes of the shade with the holes in the top cap.

Next, insert the top screws, one by one, into the holes in the lamp shade and screw into the top cap. Do not tighten all the way yet.

Once all the top screws are in place you can proceed to tighten the screws. When finished, make sure that they are properly tightened.



STEP 8

Connect the cable to the transformer and insert the relevant plug for your region.

Make sure everything is in place before plugging the transformer into an outlet.

Adjust the light intensity to desired level by turning the dimmer on the base.

100-240V - 50 Hz



& tradition®